

PORTACOO[®]

APEX PUMP SERVICE & MAINTENANCE MANUAL

WARNING!

Disconnect Portacool from electrical source before servicing.



Models: PACA05001A1 and PACA07001A1

Note: Follow QR code for detailed video instructions for Pump servicing and maintenance.

Before Beginning:

- Move unit to safe and well-illuminated work environment.
- Position Portacool with plenty of working room on all sides.
- Disconnect Portacool from electrical and water supplies.

Tools Needed:

- Screwdriver or Ratchet wrench with a 10 mm socket.
- Drill Driver with a ¼ inch socket.
- Gloves and Safety Glasses

Steps:

1. Remove the Media Shroud and Media from the unit. First, remove the 2 screws at the bottom with a ¼" socket. Pull the media shroud out and down to detach and remove. Lastly, slide the media directly out to remove.

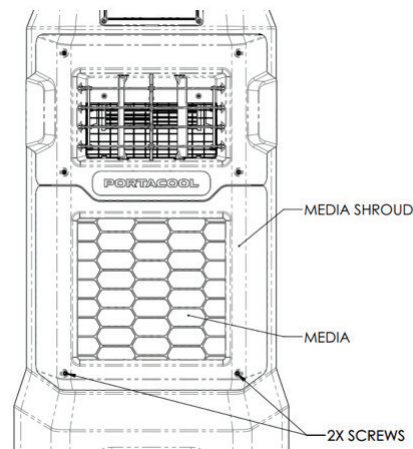


Figure 1: Portacool Unit Front View

2. Unscrew the two nylon Pump Bolts and remove the Bracket. Carefully pull the Pump outside of the unit without detaching the Tube and Pump power cable.

PORTACOOOL®

APEX PUMP SERVICE & MAINTENANCE MANUAL

WARNING!

Disconnect Portacool from electrical source before servicing.

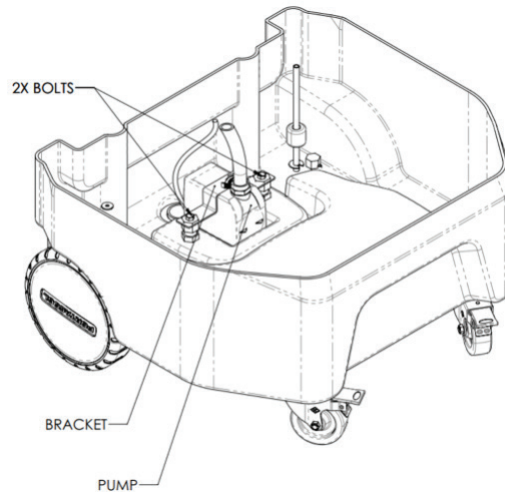


Figure 2: Portacool Unit Interior View with Pump

3. Disassemble and service the Pump using the following instructions

- Remove the front plate by gently squeezing its sides and pulling it from the main body of the pump. Inspect the front plate screen for debris and clean if necessary.
- Turn the volute plate 1/8-turn counter-clockwise and remove it from the pump body. If necessary, gently use pliers.
- If the shaft assembly (Impeller, Shaft and Rubber end cups) did not come out with the volute plate, carefully remove it.
- Remove the rubber end cups from both ends of the shaft. One may remain in the volute plate. Clean any corrosion or debris from the impeller, shaft, and impeller cavity.
- Reassemble the parts in the reverse order, beginning with the rubber end cups.

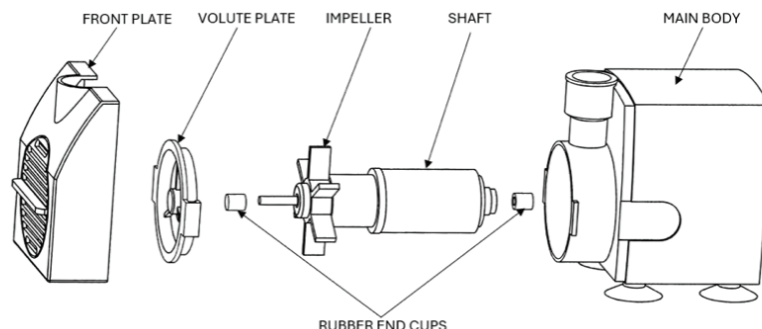


Figure 3: Portacool Pump Exploded View

PORTACOOOL®

APEX PUMP SERVICE & MAINTENANCE MANUAL

WARNING!

Disconnect Portacool from electrical source before servicing.



APEX

4. Securely reattach the Pump to its original position using the two Screws removed in Step 2. Use a manual Screwdriver or Ratchet Wrench with a 10 mm socket to hand-tighten the screws. Do not use a Drill or Impact driver as this could overtighten the bolt and cause stripping or leaks.
5. Fill the unit with water and test the Pump's operation to ensure proper functionality.
6. If the Pump still fails to operate, consider replacing it with a new one to resolve the issue.