

## APEX FLOAT REPLACEMENT MANUAL

### **WARNING!**

Disconnect Portacool from electrical source before servicing.



**Models:** PACA12001A1, PACA20001A1, PACA40001A1 and PACA65001A1

### **Before Beginning:**

- Move unit to safe work environment.
- Position Portacool with plenty of working room on all sides.
- Disconnect Portacool from electrical and water supplies.

### **Tools Needed:**

- Drill Driver with a 5/16-inch socket.
- Channellock Wrench
- Gloves and Safety Glasses

### **Steps:**

1. First, unscrew the Media Flap Screws using a 5/16" socket and remove the Media Flap. Pull the Distribution Media and all the Main Media out of the unit (Figure 1).

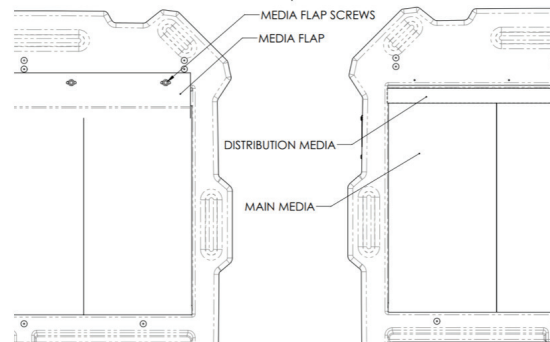


Figure 1: Portacool Apex unit back view (left), Portacool Apex unit back view without media flap (right).

Start by setting the angle between the Valve Actuator and the Arm. Refer to Figure 2 for part nomenclature. To adjust the angle:

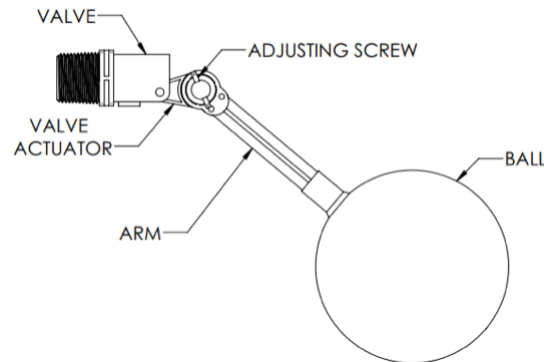
- a. Ensure that the Ball is detached from the Arm.
- b. Loosen the Adjusting Screw.
- c. Adjust the angle using any of the following methods:
  - Using the template provided with the document (Figures 6 and 7). Place Replacement Float over the template and adjust the Arm to the correct position based on the unit model. Use Figure 6 for PAC12001A1. Use Figure 7 for PACA20001A1, PACA40001A1 and PACA65001A1
  - Alternatively, use the Existing Float in the unit as a reference and match the angle of the Replacement Float accordingly.

*continued on next page*

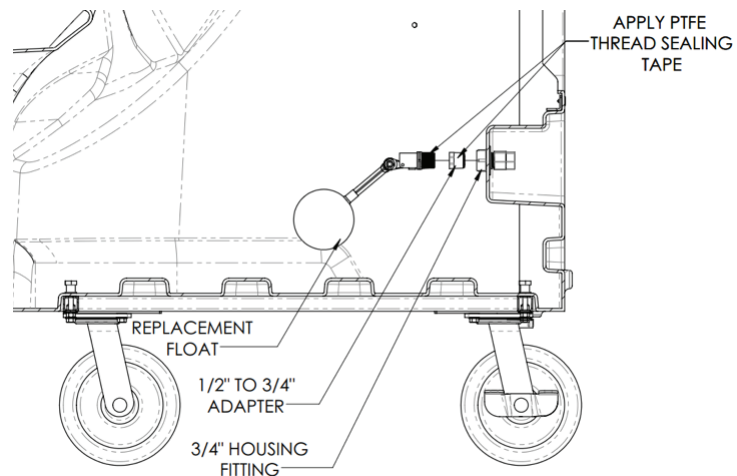
## APEX FLOAT REPLACEMENT MANUAL

### **WARNING!**

Disconnect Portacool from electrical source before servicing.



- d. Tighten the Adjusting Screw once the Arm is set to correct angle.
  - e. Attach the Ball to the Arm
3. Depending on the Portacool Unit configuration, follow these steps:
    - a. Float Valve and  $\frac{3}{4}$ " Housing Fitting Configuration (Figure 3):
      - Remove the Existing Float from inside the unit. Gently use a Channellock Wrench if needed.
      - Attach the provided  $\frac{3}{4}$ " to  $\frac{1}{2}$ " Adapter by wrapping 3-4 layers of PTFE thread sealing tape around the male threads of the Replacement Float (Figure 3).
      - Apply 3-4 layers of PTFE thread sealing tape to the male threads of the  $\frac{3}{4}$ " to  $\frac{1}{2}$ " Adapter, then securely fasten the Replacement Float to the  $\frac{3}{4}$ " Housing Fitting, ensuring it is tightened properly (Figure 3). Gently use a Channellock Wrench if needed.



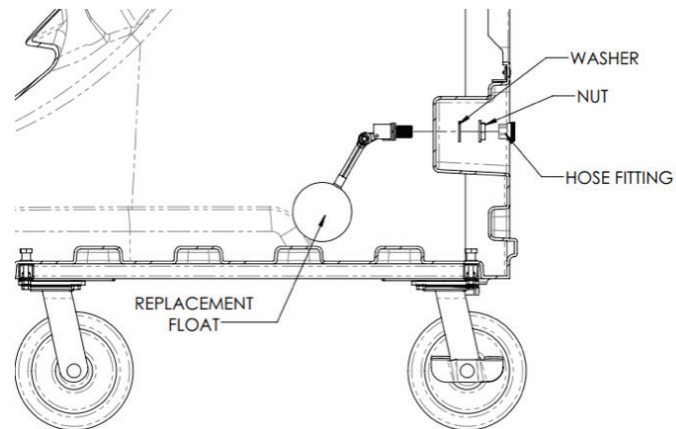
## APEX FLOAT REPLACEMENT MANUAL

### **WARNING!**

Disconnect Portacool from electrical source before servicing.



- b. Float Valve and Bracket/Routing Clamp Configuration (Figure 5):
- Remove the Routing Clamp by removing the 2X Screws with a 5/16" socket (Figure 5).
  - Remove the Hose fitting and the Nut from outside and detach the Existing Float from inside the unit (Figure 4). Gently use a Channellock Wrench if needed.
  - Install the Replacement Float using the Washer and the Nut and attach the Hose Fitting (Figure 4). Ensure the Replacement Float and the Hose Fitting are tightened properly. Gently use a Channellock Wrench if needed.



- Reattach the Routing Clamp using the 2X Screws (Figure 5).

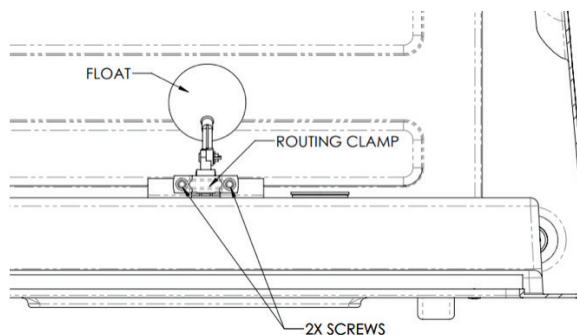


Figure 5: Portacool Unit Interior View with Float and Bracket Assembly.

## APEX FLOAT REPLACEMENT MANUAL

**WARNING!**

Disconnect Portacool from electrical source before servicing.



APEX

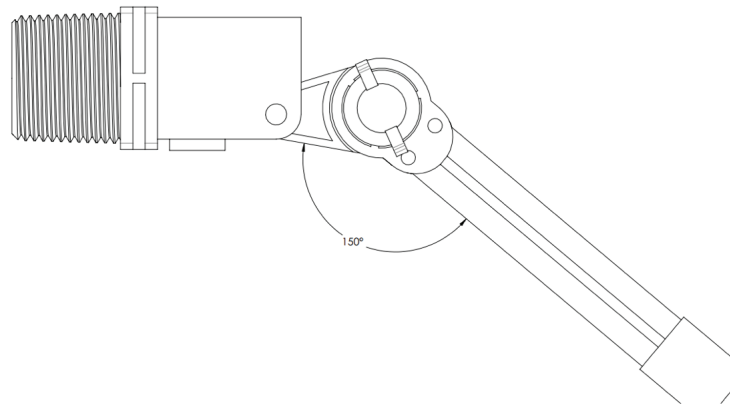


Figure 6: PACA12001A1 Float Angle Adjustment Template.

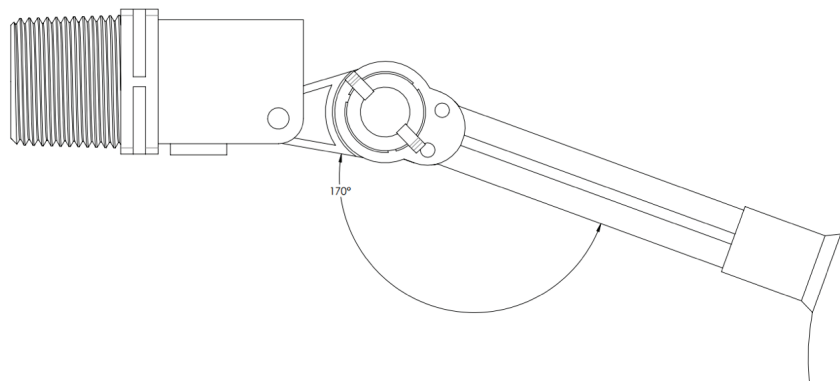


Figure 7: PACA20001A1, PACA40001A1, PACA65001A1 Float Angle Adjustment Template.